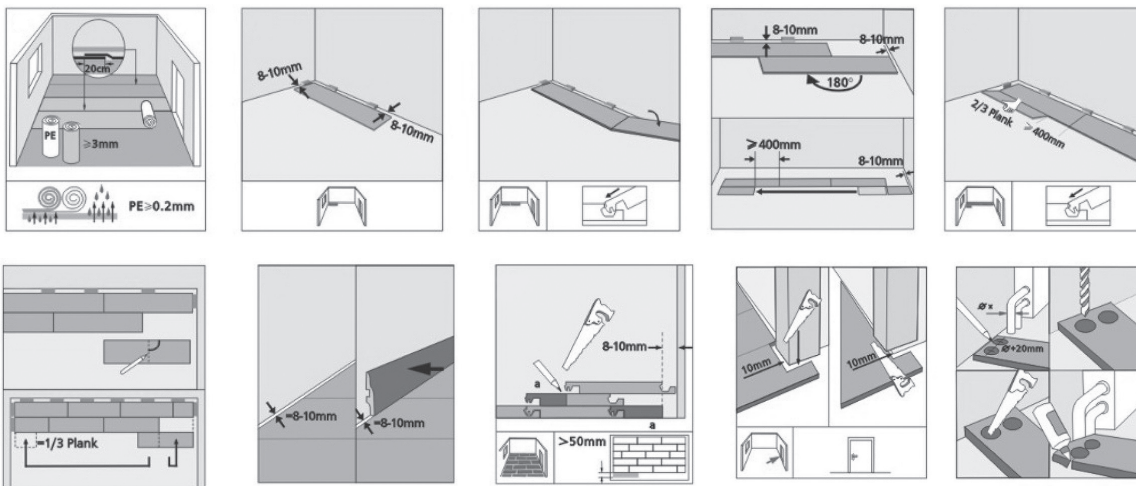


## Preparation

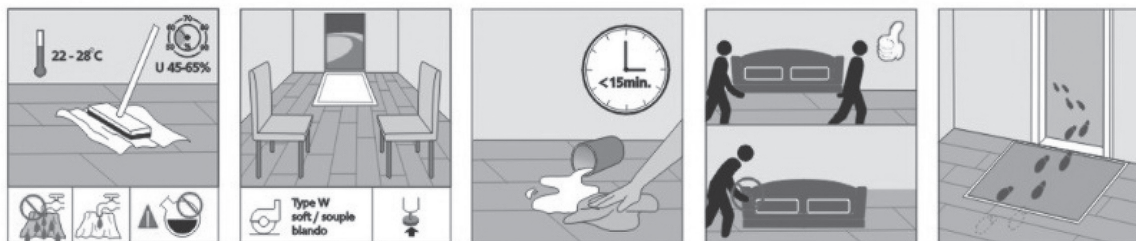


## Installation

NOTE: Please examine all the flooring before installation for the colour, finish, quality and style. The manufacturer will not assume any responsibility for the above once the product has been installed.



## Care & Maintenance



### Limited Warranty

- 25 years Structural Integrity Warranty
- 5 years finish and wear warranty

These warranties, which begin from the date of purchase, apply to products used in dry residential applications.

### Warranty Coverage

Finish and Wear Warranty --- We warranty that its finish surface will not peel off or wear through for the indicated period of time, from the date of purchase.

Structural Integrity Warranty --- We warranty that these engineered wood products in their original manufactured conditions are free from defect in material and workmanship included assembly dimension and grading.

These warranties DO NOT COVER damages or defects resulting from or in any way attributed to:

- Improper storage, handling or installation of the products.
- Excessive or inadequate humidity in the area. Relative humidity in the area of use should be within a normal range of 45%-65%. Abuse, lack of maintenance, neglect, abnormal use or misuse, negligence, corrosive chemicals and other unintended uses.
- Variations in color, marking, patterns, fading or darkening that are naturally occurring or develop over time.
- Damage caused during shipping is the responsibility of the shipping company
- Dents or scratches.
- Changes in colour due to full or partial exposure to sunlight and weather.
- Separations between boards caused by expansion and contract during seasonal and temperature changes.
- Installation or use of flooring with visible defects.